

Customer	Date	2/21/2018
Contact	Project	
Phone number	Project no.	
Email		

3HM17S15M5HQBE

104605651

Operating data

Pump type	Single head pump	Fluid	Water
No. of pumps / Reserve	1 / 0	Operating temperature t A	°C 4
Nominal flow	l/s 0	pH-value at t A	7
Nominal head	m 0	Density at t A	kg/m ³ 1000
Static head	m 0	Kin. viscosity at t A	mm ² /s 1.569
Inlet pressure	bar 0.098	Vapor pressure at t A	bar 1
Environmental temperature	°C 20	Solids	0
Available system NPSH	m 0	Altitude	m 0

Pump data

Make	Lowara	Nominal	l/s ()
Speed	1/min 2900	Flow	Max- l/s 1.2
Number of stages	17	Min-	l/s
Max. casing pressure	bar	Nominal	m
Max. working pressure	bar 12.4	Head	at Qmax m 50.5
Head H(Q=0)	m 130		at Qmin m 126.4
Weight	kg 20	Shaft power	kW ()
	Max. mm 73	Max. shaft power	kW 1.4
Impeller R	designed mm 73	Efficiency	%
	Min. mm 73	NPSH 3%	m

Pump Materials

ADAPTER	Aluminium
Diffuser and upper spacer	Stainless steel
Fill / drain plugs	Stainless steel
Head	Stainless steel
IMPELLER	Stainless steel 304
Outer sleeve	Stainless steel
SEAL HOUSING	Stainless steel
SHAFT	Stainless steel
Shaft sleeve and bushing	Tungsten carbide
Tie rods	Stainless steel
WEAR RING	Technopolymer
Ring with foot	Aluminium

Shaft Seal

Mechanical Seal	Burgmann
HM - MG1S2	
Rotating Assembly	Q1-Silicon carbide
Fixed Assembly	B-Carbon
Elastomers	E-EPDM
Springs	G-AISI 316
Other Components	G-AISI 316

Motor data

Manufacturer	Lowara	Electric voltage	230 V	Speed	2810 1/min	Insulation class	F
Specific design	Single phase motor - e-HM			Frame size	56	Colour	RAL 5010
Type	SM80HM../1155	Electric current	9.21 A	Weight	0 kg		
Rated power	1.5 kW	Degree of protection	IP 55				

Remarks:

Customer	Date	2/21/2018
Contact	Project	
Phone number	Project no.	
Email		

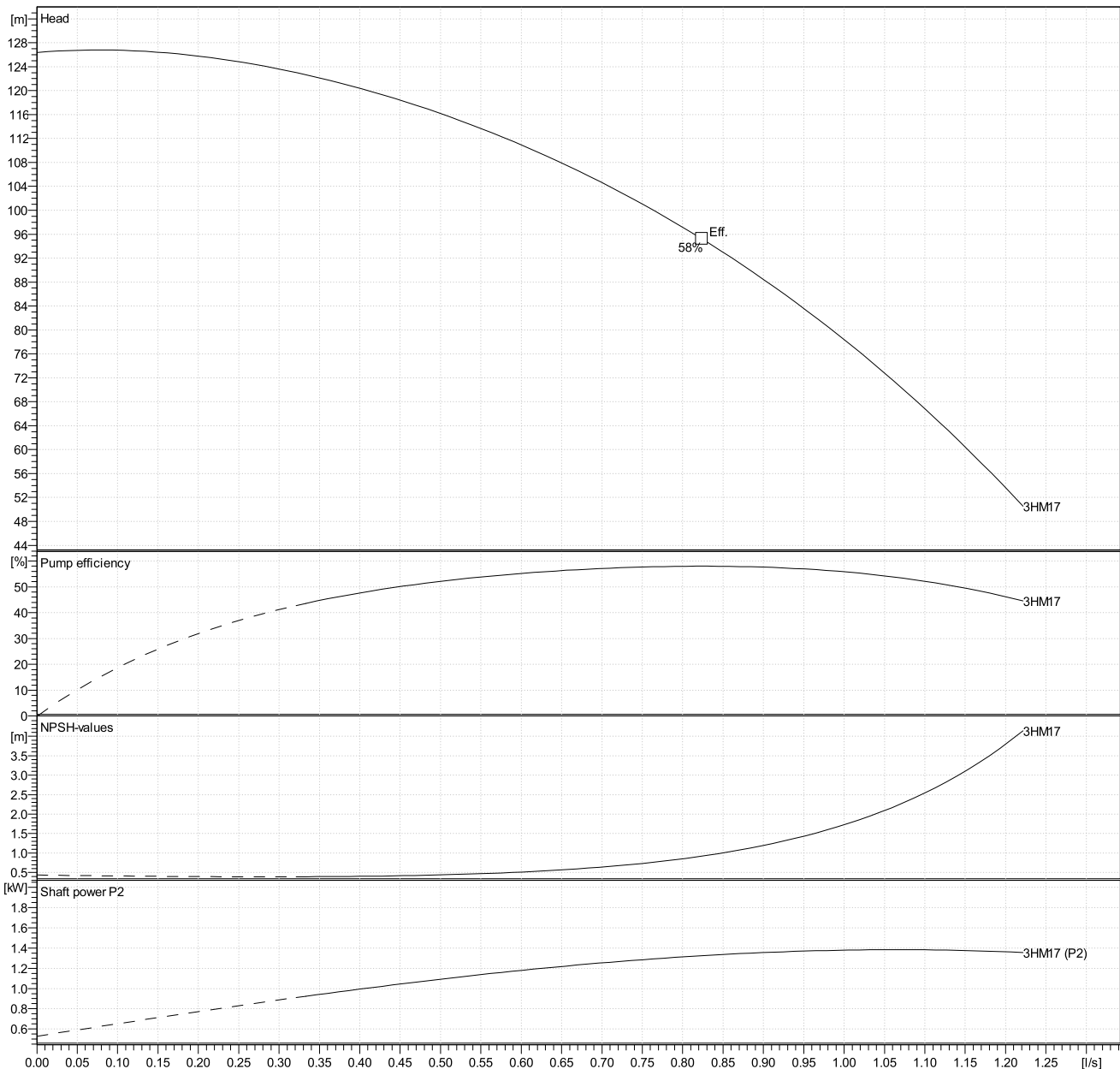
3HM17S15M5HQBE

104605651

Hydraulic Data

Operating Data Specification		Hydraulic data (duty point)		Impeller design	
Flow	0 l/s	Flow		Impeller R	73 mm
Head	0 m	Head		Frequency	50 Hz
Static head	0 m			Speed	2900 1/min

Power datas referred to:
 Water [100%] ; 4°C; 1000kg/m³; 1.57mm²/s
 Performance according to ISO 9906:2012 – Grade 3B

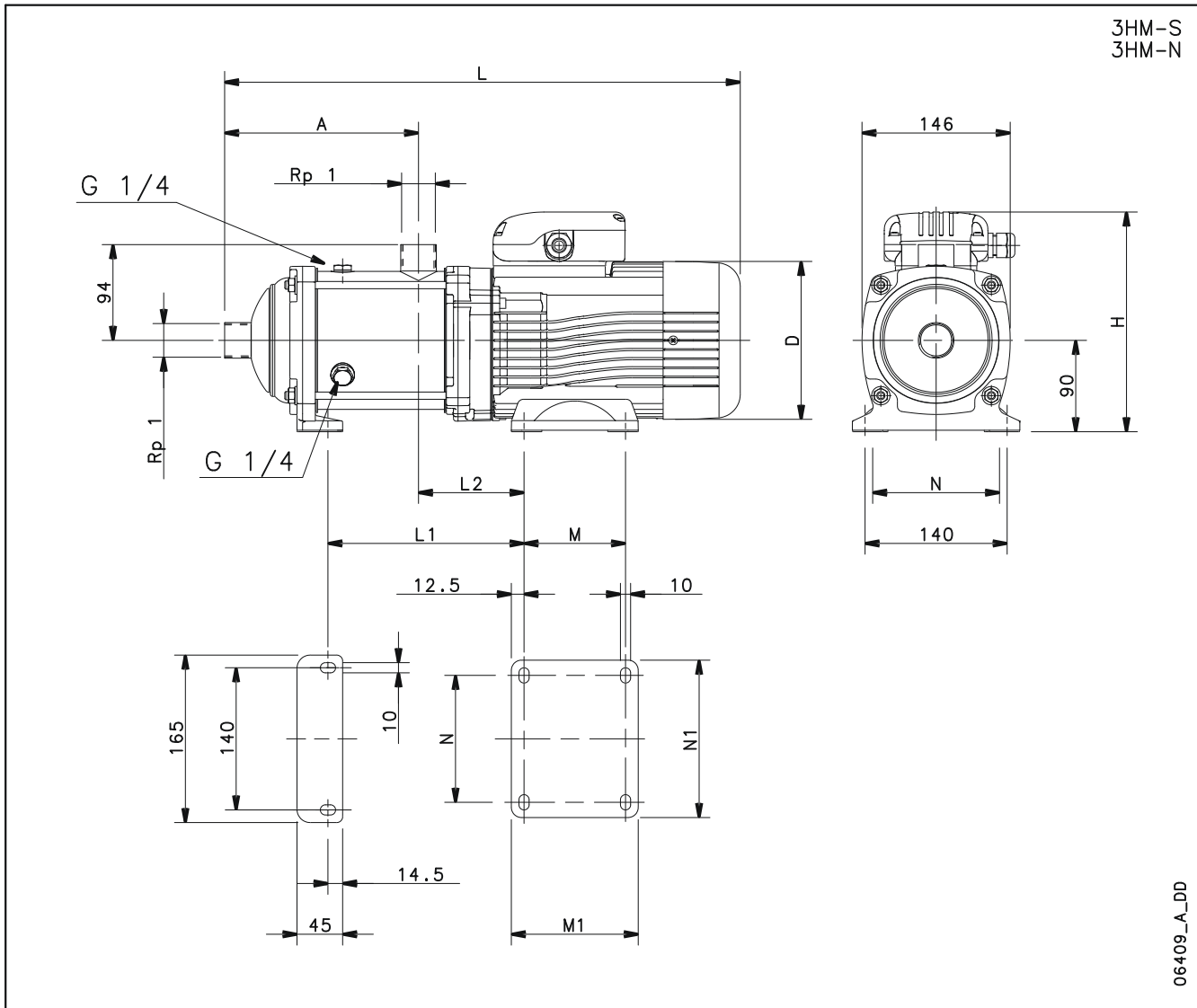


Customer	Date	2/21/2018
Contact	Project	
Phone number	Project no.	
Email		

3HM17S15M5HQBE

104605651

Drawing



06409_A_DD

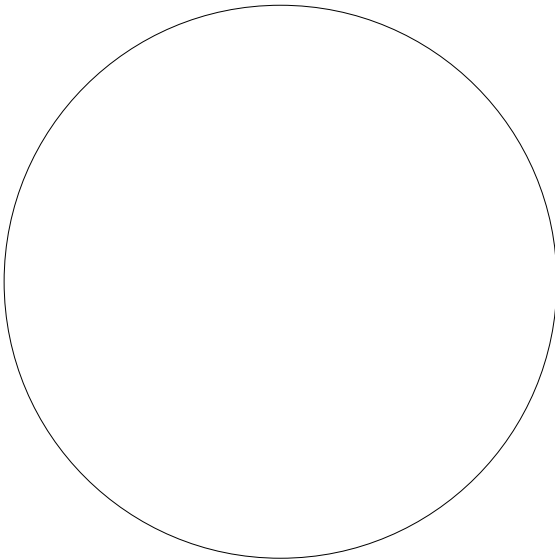
Dimensions mm

A	351	N1	155			Weight 20 kg
D	155	PN	16			
H	227					
L	668					
L1	353					
L2	104					
M	100					
M1	125					
N	125					

3HM17S15M5HQBE
104605651

Total lifetime	15	Inflation rate (rate of price increases)	2 %
Annual operating time	5600	Interest rate (for investment)	3 %
Energy cost per kWh	0.00 USD		
Power input P1			

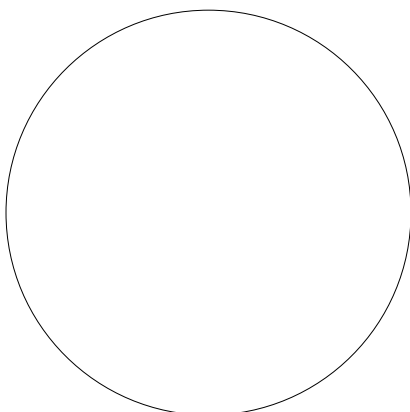
Total costs



- 0% 0.00 USD Energy
- 0% 0.00 USD Investment costs
- 0% 0.00 USD Installation & commissioning
- 0% 0.00 USD Operating cost
- 0% 0.00 USD Maintenance & repair
- 0% 0.00 USD Downtime
- 0% 0.00 USD Environmental
- 0% 0.00 USD Decommissioning

USD

First year costs



- 0% 0.00 USD Energy (1st year)
- 0% 0.00 USD Investment costs (1st year)
- 0% 0.00 USD Installation & commissioning (1st year)
- 0% 0.00 USD Operating cost (1st year)
- 0% 0.00 USD Maintenance & repair (1st year)
- 0% 0.00 USD Downtime (1st year)
- 0% 0.00 USD Environmental (1st year)
- 0% 0.00 USD Decommissioning (1st year)

USD